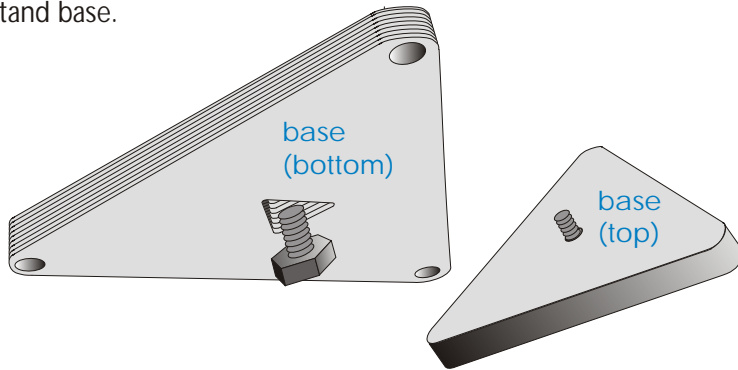


# Physics Stand

## Assembly Instructions

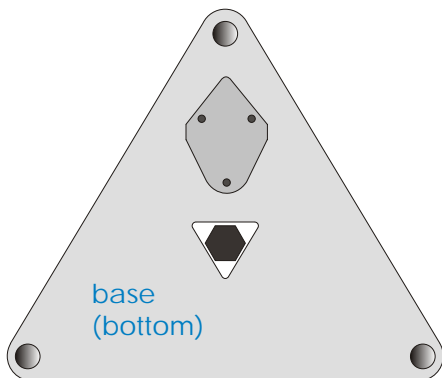
### The Physics Stand Base & Bolt

1. Put bolt through base from the bottom side of the Physics Stand base.

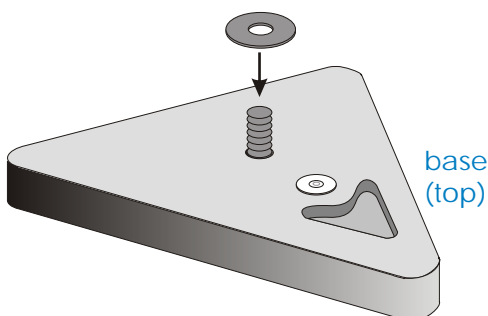


The bolt should be pushed through the triangle-shaped opening so that the threaded end protrudes through the top.

The bolt will seat as shown below.



2. Place the washer over the protruding threads on the top side of the base.

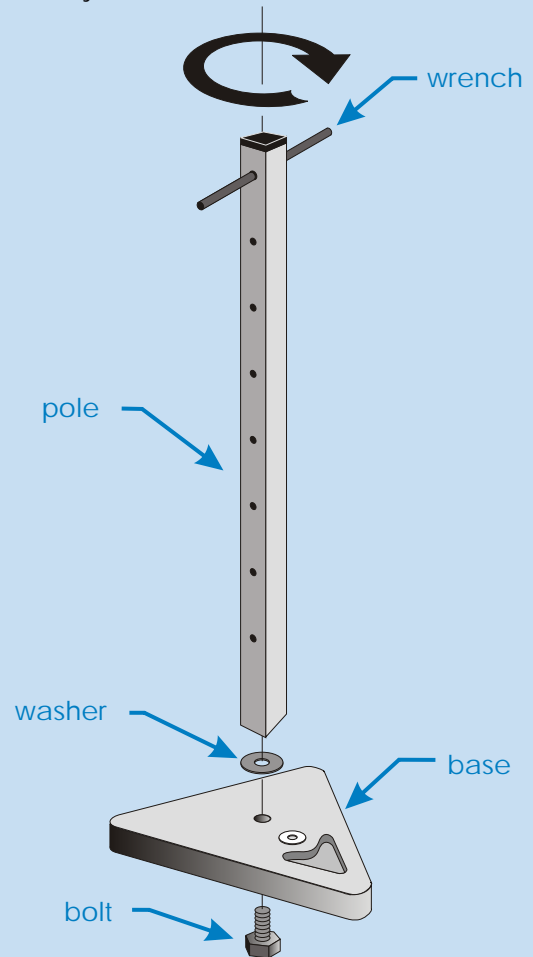


3. Thread the pole onto the protruding end of the bolt. Continue until snug.

### Attaching the Pole

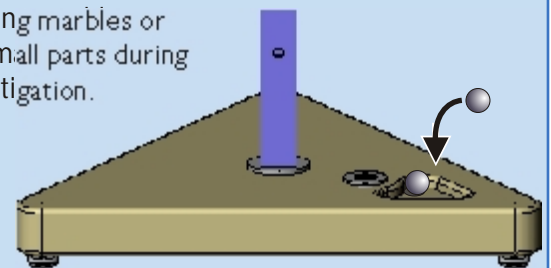
To secure tightly, place wrench (metal rod) through holes in pole (as shown below) and turn clockwise while holding base.

Place the Physics Stand on a table.



### Marble Storage

There is a pocket in the Physics Stand base for storing marbles or other small parts during an investigation.



Assembly instructions continue on page 2.

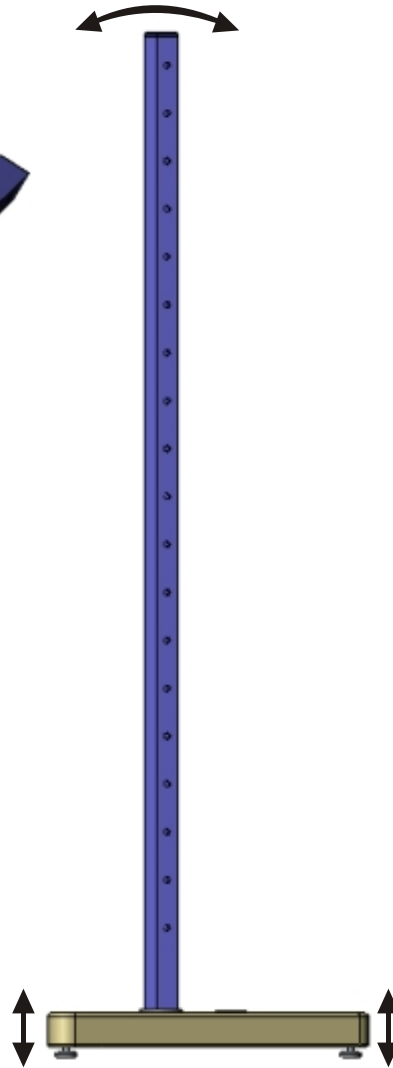
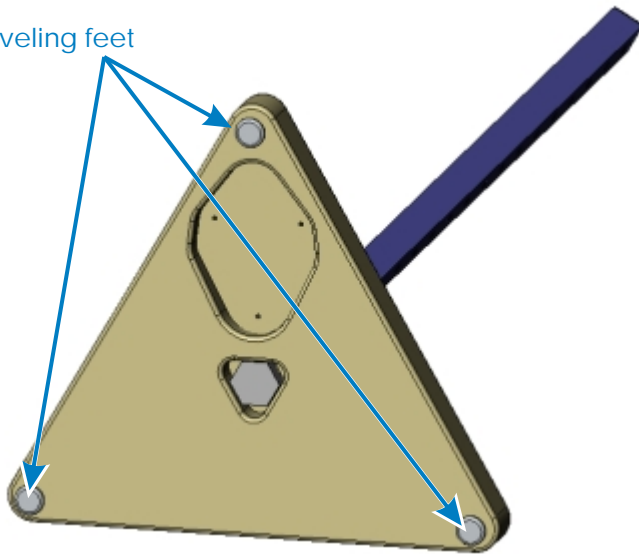
# Physics Stand

## Leveling the Physics Stand

Certain investigations, like the Rollercoaster and Straight Track, benefit from a level Physics Stand.

To compensate for an uneven table, use the leveling feet to adjust each corner up or down until the bubble is centered in the level.

leveling feet



Note: For some experiments, such as the Gravity Drop or Colliding Pendulum, use the leveling method provided with the investigation for more precise results.

For technical assistance, please call 866.588.6951.